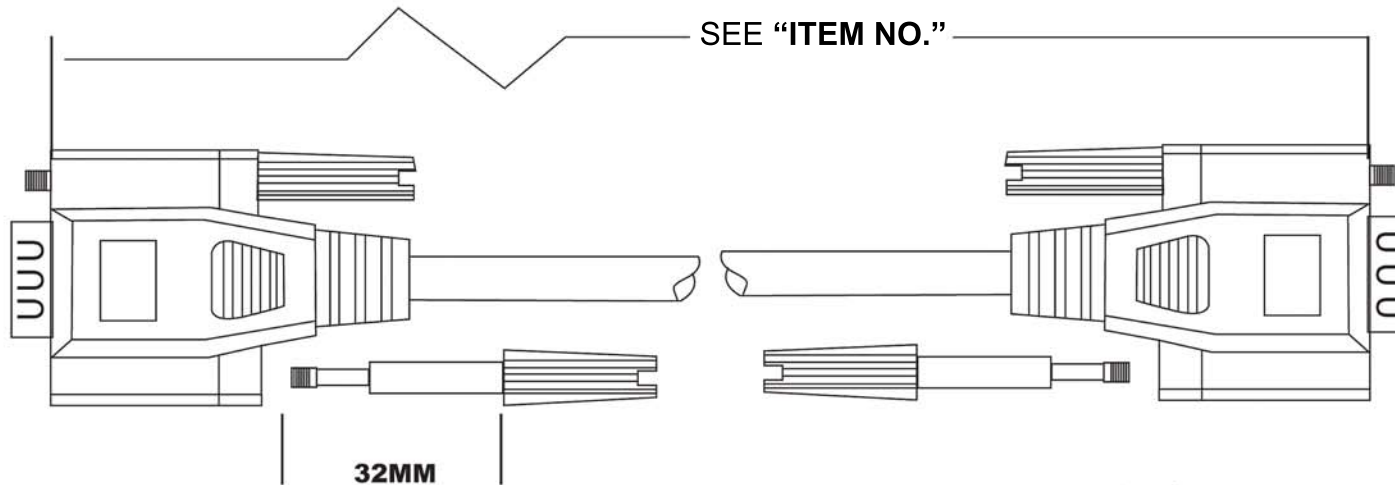
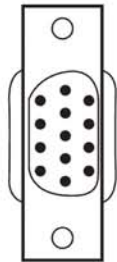


**HD15 Male
MD Type**



**HD15 Male
MD Type**



Material:

1. Cable: #28 14C+1+AL/MY (Beige PVC Jacket) O.D:6.0MM
2. Both connectors the 9th PIN are empty
3. Thumbscrew: #4-40UNC Type
4. Outer Molded with Beige PVC

Notes:

1. Total Length: SEE "ITEM NO."
2. Color: Beige
3. Molded Type

Configuration:

HD15M	HD15M
1 _____	1 _____
2 _____	2 _____
3 _____	3 _____
4 _____	4 _____
5 _____	5 _____
6 _____	6 _____
7 _____	7 _____
8 _____	8 _____
10 _____	10 _____
11 _____	11 _____
12 _____	12 _____
13 _____	13 _____
14 _____	14 _____
15 _____	15 _____
Shield _____	Shield _____



<i>ITEM NO</i>	AK532-2-R (2 Meters) AK377-5-R (5 Meters)
<i>TITLE</i>	VGA Monitor Connection Cable HD D-SUB 15-Pin Male to HD D-SUB 15-Pin Male

ASSMANN
Electronics, Inc.

1840 W. Drake Drive, Suite 101 - Tempe, AZ 85283
Toll Free: 1-877-277-6266 Email: info@usa-assmann.com

THIS DRAWING IS UNPUBLISHED
© Copyright 2008 by Assmann Electronic Components
All International Rights Reserved